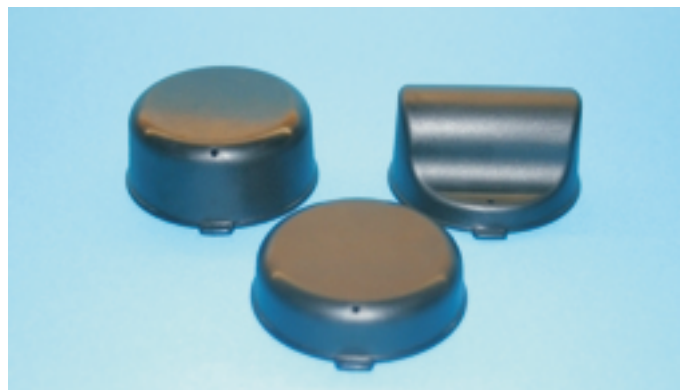


Rechargeable 1730mAh Li-Ion battery pack with memory for Traxlogix base units

FEATURES

- Li-Ion chemistry
- Prismatic type
- 1730mAh capacity
- Splashproof after installation
- Internal 256 Kbit EEPROM memory
- Battery unique ID identification
- Maintenance-free
- RoHS-compliant



APPLICATIONS

The BS-118 is specially designed to provide a rechargeable source of energy for the entire Traxlogix TRX series of tracking base units :

- automotive
- motorbikes
- marine
- construction equipment
- and much more

COMPATIBILITY

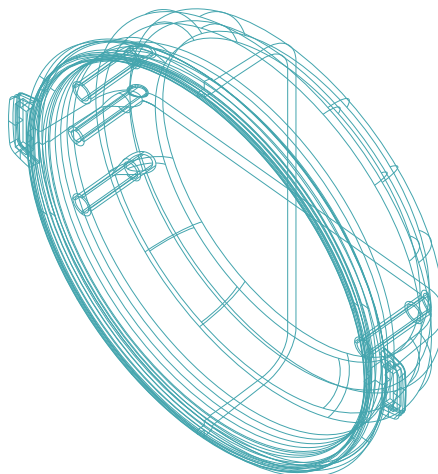
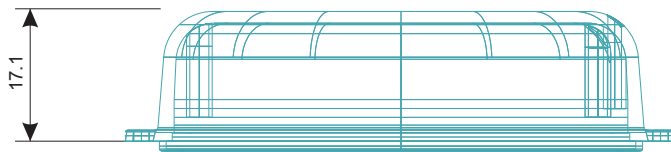
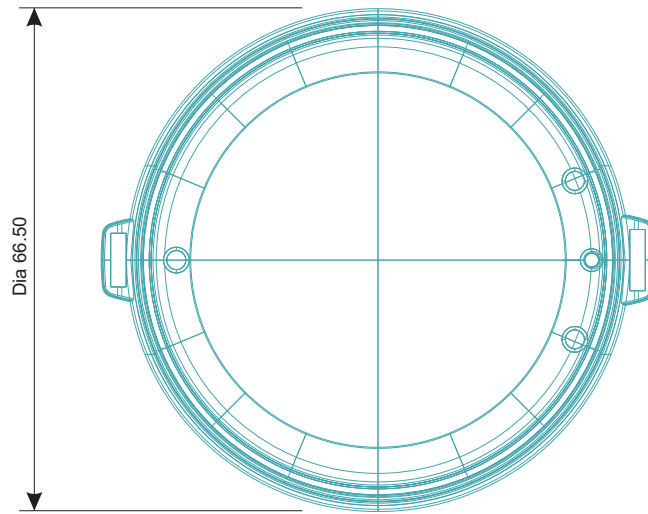
The BS-118 is compatible with the following tracking base units :

- TRX-110
- TRX-200
- TRX-220
- TRX-300
- TRX-330
- TUR-100 USB reader compatible
- PC-770 Wall outlet charger

DESCRIPTION

The **TRAXLOGIX** BS-118 battery pack provides a long-lasting primary rechargeable power source for the entire TRX series of products. It was initially designed for use with the TRX-110 tracking base unit in applications in which the tracking unit is permanently connected to the GSM network. The BS-118 has a nominal capacity of 1730mAh and is 100% maintenance-free. The internal 256Kbit EEPROM provides enough memory to store up to 10,000 GPS positions. Each battery pack has a unique 64-bit ID serial number programmed during the production process, allowing the tracking base unit to recognize which type of battery is connected and detect when the user replaces the battery. Energy is supplied by a premium-quality Li-Ion prismatic single cell, delivering a nominal voltage of 3.6 volts with a pulse discharge current capability of up to 2000mA. The GPS positions stored in the memory can be downloaded with the TUR-100 USB reader.

MECHANICAL



All dimensions are in millimeters

ELECTRICAL CHARACTERISTICS

CHARACTERISTICS	VALUE	UNIT
Nominal voltage:	3.6	Volt
Maximum charging current:	1200	mA
Maximum discharge current (pulse):	2000	mA
Internal short circuit protection limit:	3000	mA

ENVIRONMENTAL CHARACTERISTICS

CHARACTERISTICS	VALUE	UNIT
Storage temperature range:	-20 to +50	°C
Normal operating temperature range:	-20 to +60	°C
Weight:	87	g

Hazards Identification

Do not short circuit, puncture, incinerate, crush, immerse, force discharge or expose to temperatures above the declared operating temperature range of the product. Risk of fire or explosion. The Li-Ion batteries described in this Product Safety Data Sheet are sealed units which are not hazardous when used according to the recommendations of the manufacturer. Under normal conditions of use, the electrode materials and liquid electrolyte they contain are not exposed to the outside, provided the battery integrity is maintained and seals remain intact. Risk of exposure only in case of abuse (mechanical, thermal, electrical) which leads to the activation of safety valves and/or the rupture of the battery containers. Electrolyte leakage, electrode materials reaction with moisture/water or battery vent/explosion/fire may follow, depending upon the circumstances.

The specifications in this document are subject to change at **TRAXLOGIX**'s discretion. **TRAXLOGIX** assumes no responsibility for any claims or damages arising out of the use of this document, or from the use of products and services mentioned in this document, including but not limited to claims or damages based on infringement of patents, copyrights or other intellectual property rights. **TRAXLOGIX** makes no warranties, either expressed or implied with respect to the information and specifications contained in this document. **TRAXLOGIX** does not support any applications in connection with active weapon systems, ammunition, life support and aircraft. Performance characteristics listed in this document are estimates only and do not constitute a warranty or guarantee of product performance. The copying, distribution and utilization of this document as well as the communication of its contents to others without expressed authorization is prohibited. Offenders will be held liable for the payment of damages. All rights reserved, in particular the right to carry out patent, utility model and ornamental design registrations. Copyright©2006, **TRAXLOGIX**